

Montpellier



Built-in Range

The Complete
Integrated Product Guide

LAUNDRY | DISHWASHING | COOKING | COOLING | ACCESSORIES

Montpellier

CONTACT

Sales

T: 03333 234 473 - Option 1

E: sales@montpellier-appliances.com

New Accounts

T: 03333 234 473 - Option 1

Apply Online: apply.montpellier-appliances.com

Customer Services

T: 03333 234 473 - Option 3

E: customerservices@montpellier-appliances.com

Marketing

T: 03333 234 473 - Option 6

E: marketing@montpellier-appliances.com

Please visit www.montpellier-appliances.com/support to download any specsheets, instruction manuals and high res images. The latest brochures can also be downloaded from our website.

To apply for an account please visit:

www.montpellier-appliances.com/become-a-retailer

Montpellier Domestic Appliances Limited


Unit 1 Tewkesbury Retail Park

Northway Lane

Tewkesbury


Gloucestershire


GL20 8JU


 Montpellier_UK

 Montpellier_UK

 montpellier_appliances

 Montpellier Domestic Appliances

 Montpellier Domestic Appliances

 Montpellier Domestic Appliances

© Copyright of Montpellier Domestic Appliances Limited 2021. All rights reserved. E&OE. You may neither solely or jointly with or on behalf of any other third party directly or indirectly copy, reproduce, transmit, distribute, publish, display, commercially exploit or create derivative works of the content of this material unless given permission. Whilst every effort has been made to ensure all details in this booklet are correct at the time of going to print, Montpellier reserve the right to amend prices and products without prior notice. All images within this booklet are for illustration purposes only and may occasionally differ from the actual product.

Disclaimer

This brochure is current as from the publication date and supersedes all previous brochures for these products. Whilst Montpellier Domestic Appliances Ltd believes that all information contained within this brochure is correct at the time of going to print, no representation or warranty, express or implied, is or will be made and no responsibility or liability is or will be accepted by Montpellier Domestic Appliances Ltd in relation to accuracy or completeness of this information and any liability is expressly disclaimed. Montpellier Domestic Appliances Ltd reserves the right to modify technical data and all other information contained within this brochure without notice. All rights reserved. No part of this publication may be reproduced in any form without the prior written permission of Montpellier Domestic Appliances Ltd.

This brochure should not be regarded as an infallible guide nor as an offer of sale for a particular product. Due to variations in the reproduction process, colours of actual products may vary slightly from those depicted. We recommend you view the Montpellier Domestic Appliances in person to confirm specifications and colours are to your satisfaction.



Built-In Products

LAUNDRY & DISHWASHING

Built-in Laundry	4
Built-in Dishwashers	4

COOKING

Ovens	5
Microwaves	6
Warming Drawers	7
Electric Hobs	8-9
Gas Hobs	10
Cooker Hoods	11-13

COOLING

Built in Refrigeration	14-15
Wine Coolers	16
American Style Side-by-Sides	17

SINKS & TAPS

Taps & Hot Taps	18
Sinks	19

TECHNICAL DRAWINGS

Product Dimensions & Technical Drawings	20-31
---	-------

Laundry & Dishwashing

Built-In Ovens

Our Laundry & Dishwashing products fit seamlessly into your kitchen.

Our Single Built-in Ovens come complete with cable suitable for hardwire or 13amp supply



8KG LOAD

- MIWM84**
Integrated Washing Machine
- 1400RPM
 - 8Kg Load
 - 30 minute Quick Wash
 - LED Display
 - 17 Programmes

D Energy Rating

7.5KG LOAD

- MIWD75**
Integrated Washer Dryer
- 1400 RPM
 - 7.5Kg Wash Load
 - 5Kg Dry Load
 - Rapid Wash
 - LED Display

D/E Energy Rating

7KG LOAD

- MIHP70**
Integrated Heat Pump Tumble Dryer
- 7Kg Capacity
 - Sensor Dry
 - Door Water Container
 - 15 Programmes
 - LED Display

A+ Energy Rating

70 LTR

- SFO72X**
Built-in Electric Oven
- 70Ltr Capacity
 - 8 Oven Functions
 - Touch & Pop-in Controls
 - 13amp rating
 - 3KW
 - Fan Oven
 - A Energy Rating
 - Stainless Steel

70 LTR

70 LTR

- SFO73B**
Built-in Electric Oven
- 70Ltr Capacity
 - 8 Oven Functions
 - Touch Controls
 - 13amp rating
 - 3KW
 - Fan Oven
 - A Energy Rating
 - Black Glass

70 LTR

70 LTR

- SFO74B**
Built-in Electric Oven
- 70Ltr Capacity
 - 8 Oven Functions
 - Touch & Pop-in Controls
 - 13amp rating
 - 3KW
 - Fan Oven
 - A Energy Rating
 - Black Glass

70 LTR



10 PLACE SETTINGS

- MDI455**
Integrated Dishwasher
- 10 Place Settings
 - 6 Programmes
 - 4 Temperatures
 - Time Delay
 - LED Progress Lights

E Energy Rating

10 PLACE SETTINGS

- MDI505**
Integrated Dishwasher
- 10 Place Settings
 - 9 Programmes
 - 5 Temperatures
 - Cutlery Tray
 - 30 minute Quick Wash

E Energy Rating

12 PLACE SETTINGS

- MDI605**
Integrated Dishwasher
- 12 Place Settings
 - 5 Programmes
 - 3 Temperatures
 - Start Delay
 - Adjustable Racking

E Energy Rating

65 LTR

- SFO58X**
Built-in Electric Oven
- 65Ltr Capacity
 - 8 Oven Functions
 - Pop-in Pop-Out Controls
 - 13amp rating
 - 3KW
 - Fan Oven
 - A Energy Rating
 - Black/Stainless Steel

65 LTR

59 LTR

- SBFO59X** **SBFO59B**
Built-in Electric Oven
- 59Ltr Capacity
 - 5 Oven Functions
 - Rotary Controls
 - 13amp rating
 - 2KW
 - Fan Oven
 - A Energy Rating
 - Black | Stainless Steel

59 LTR

Built-in or Built Under

- DO3550UB** Built Under Double Oven
DO3570IB Built-in Double Oven
- Main Oven; Fan
 - Second Oven; Static with Grill
 - Programmable Electronic Timer
 - Rotary Controls
 - Easy-Clean Enamel Liner
 - A Energy Rating
 - Black | S/Steel

Built-in or Built Under



SFCP11 Electric Oven & Ceramic Hob Pack

- 60cm Ceramic Hob
- 4 Zones
- Front Touch Controls
- Hot Hob Indicator
- 99 Minute Timer
- Black Glass



SFGP12 Electric Oven & Gas Hob Pack

- Gas on Black Glass Hob
- Cast Iron Supports
- 4 Gas Burners
- Front Rotary Controls
- Auto Ignition



12 PLACE SETTINGS

- MDI655X / W / K**
Semi Integrated Dishwasher
- 12 Place Settings
 - 7 Programmes
 - 4 Temperatures
 - 1/2 Load Button
 - Stainless Steel / White / Black

E Energy Rating

12 PLACE SETTINGS

- MDI705**
Integrated Dishwasher
- 12 Place Settings
 - 9 Programmes
 - 5 Temperatures
 - Time Delay
 - Interior Light

E Energy Rating

15 PLACE SETTINGS

- MDI805**
Integrated Dishwasher
- 15 Place Settings
 - 9 Programmes
 - 6 Temperatures
 - Cutlery Tray
 - Folding basket & Plate Prongs

E Energy Rating

59 LTR

- SFCP11**
- 59Ltr Net Capacity
 - 5 Oven Functions
 - Rotary Controls
 - Fitted with Cable
 - Oven Light
 - 2KW
 - Incl. 1 Wire Rack & 1 Drip Tray
 - A-Rated Energy
 - Black | Stainless Steel

59 LTR

59 LTR

- SFGP12**
- 59Ltr Net Capacity
 - 5 Oven Functions
 - Rotary Controls
 - Fitted with Cable
 - Oven Light
 - 2KW
 - Incl. 1 Wire Rack & 1 Drip Tray
 - A-Rated Energy
 - Black

59 LTR

Built-In Microwaves

Team your built-in oven with an integrated microwave for a clean, streamlined look.

Built-In Warming Drawers

Warming Drawers are a handy addition for those who love hosting & cooking.

Matches SFO72X



- MWBI72X**
Built In Microwave & Grill
- 900W
 - 25 LTR
 - 25Ltr Capacity
 - 900W Microwave
 - 1000W Grill
 - 5 Power Levels
 - LED Display
 - Cook, Reheat, Grill & Defrost
 - Stainless Steel

Matches SFO73B



- MWBI73B**
Built In Microwave & Grill
- 900W
 - 25 LTR
 - 25Ltr Capacity
 - 900W Microwave
 - 1000W Grill
 - 5 Power Levels
 - Touch Door Opening
 - Cook, Reheat & Defrost
 - LCD Display
 - Full Touch
 - Black Glass, S/Steel

Matches SFO74B



- MWBIC74B**
Built In Combi Microwave
- 900W
 - 44 LTR
 - 44Ltr Capacity
 - 900W Microwave
 - 1000W Grill
 - 2400W Convection
 - 6 Power Levels
 - LED Display
 - Combination Cooking
 - Drop Down Door
 - Black Glass

300mm DEPTH



- MWBI17-300**
Built In Solo Microwave
- 700W
 - 17 LTR
 - 17Ltr Capacity
 - Cook, Reheat & Defrost
 - 5 Power Levels
 - LED Display
 - Slim 300mm Depth
 - Trim Kit attached
 - Stainless Steel



- MWBI20BK**
Integrated Solo Microwave
- 800W
 - 20 LTR
 - 20Ltr Capacity
 - 800W Microwave
 - Rotary Controls
 - Interior Light
 - Defrost Setting
 - 35 Min. Timer
 - Black



- MWBI90025**
Built In Microwave & Grill
- 900W
 - 25 LTR
 - 25Ltr Capacity
 - 900W Microwave
 - 1000W Grill
 - Digital Display
 - 8 Programmes
 - Stainless Steel Cavity
 - Stainless Steel Trim Kit attached



While Stocks Last

- WD14SS**
Integrated Warming Drawer
- 25KG
 - 14cm
 - 25Kg Max. Weight
 - Full Touch Controls
 - 1000W
 - Push Door Opening
 - Time Setting
 - Adjustable Heat Setting
 - Slow Cook between 40-80°C
 - Stainless Steel



While Stocks Last

- WD14BK**
Integrated Warming Drawer
- 25KG
 - 14cm
 - 25Kg Max. Weight
 - Full Touch Controls
 - 1000W
 - Push Door Opening
 - Time Setting
 - Adjustable Heat Setting
 - Slow Cook between 40-80°C
 - Black Glass



- WD140BG**
Integrated Warming Drawer
- 25KG
 - 14cm
 - 25Kg Max. Weight
 - Analogue Control
 - 3 Position Variable Thermostat
 - 420W
 - 40-80°C
 - Black Glass



- WD140ST**
Integrated Warming Drawer
- 25KG
 - 14cm
 - 25Kg Max. Weight
 - Analogue Control
 - 3 Position Variable Thermostat
 - 420W
 - 40-80°C
 - Black Glass | Stainless Steel Trim



MWBI73B/SFO73B



- MWBIC90029**
Built In Combi Microwave
- 900W
 - 25 LTR
 - 25Ltr Capacity
 - 900W Microwave
 - 1000W Grill
 - 2400W Convection
 - LCD Display
 - Auto Cooking Programmes
 - Stainless Steel/Black



- MWBIC90044**
Built In Combi Microwave
- 900W
 - 44 LTR
 - 44Ltr Capacity
 - 900W Microwave
 - 1100W Grill
 - 2400W Convection
 - LCD Display
 - Auto Cooking Programmes
 - 3D Hot Air System
 - Stainless Steel/Black

WARMING DRAWERS

Warming drawers are ideal for pre-heating plates, keeping food warm and low temperature cooking. The drawer is ideal for proving dough for homemade bread and keeping steak warm when cooking for a few people. It is touch operated with digital display programmer and timer making it easy to control. The sleek design will blend seamlessly into your kitchen, the perfect addition for those that love to entertain.



Built-In Hobs

All Montpellier Solid Plate and Ceramic Hobs come with a fitted cable.



While Stocks Last



2500W
13/20 AMP

- SP300X**
30cm Solid Plate
- 2 Solid Plate Zones
 - 2500W
 - Front Rotary Controls
 - Heat Indicator Light
 - Stainless Steel

6000W
32 AMP

- SP601W**
60cm Solid Plate
- 4 Solid Plate Zones
 - 6000W
 - Side Rotary Controls
 - Heat Indicator Light
 - White

6000W
32 AMP

- SP601X**
60cm Solid Plate
- 4 Solid Plate Zones
 - Rapid Zone
 - Side Rotary Controls
 - Heat Indicator Light
 - Stainless Steel



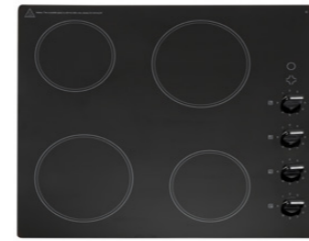
3000W
13/20 AMP

- CER31NT**
30cm Ceramic Hob
- 2 Ceramic Zones
 - 3000W
 - Front Touch Controls
 - Heat Indicator Light
 - Black Vitro Ceramic Glass



6000W
32 AMP

- CER61NT**
60cm Ceramic Hob
- 4 Ceramic Zones
 - 6000W
 - Front Touch Controls
 - Heat Indicator Light
 - Black Vitro Ceramic Glass



6000W
32 AMP

- CKH61**
60cm Ceramic Hob
- 4 Ceramic Zones
 - 6000W
 - Side Rotary Controls
 - Heat Indicator Light
 - Black Vitro Ceramic Glass



7700W
40 AMP

- CT750**
75cm Ceramic Hob
- 5 Zone Ceramic Hob
 - Front Touch Controls
 - Central Dual Zone
 - Heat Booster Button
 - 99 Min Timer
 - Heat Indicator Light
 - Cable Included (1m)
 - Black Vitro-Ceramic Glass

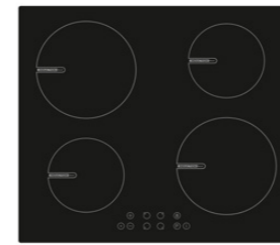


7700W
40 AMP

- CT905**
86cm Ceramic Hob
- 5 Zone Ceramic Hob
 - Front Touch Controls
 - Central Dual Zone
 - Heat Booster Button
 - 99 Min Timer
 - Heat Indicator Light
 - Cable Included (1m)
 - Black Vitro-Ceramic Glass

Built-In Induction Hobs

All Montpellier Induction Hobs come with a fitted cable.



While Stocks Last

7400W
32 AMP

- INT600**
60cm Induction Hob
- 4 Induction Zones
 - 7400W
 - Front Touch Controls
 - Heat Indicator Light
 - Pause Function
 - Child Lock
 - Black Vitro Ceramic Glass



7000W
32 AMP

- INT61NT**
60cm Induction Hob
- 4 Induction Zones
 - 7000W
 - Front Touch Controls
 - Heat Indicator Light
 - Black Ceramic Glass



3000W
13 AMP

- INT61T99-13A**
60cm Induction Hob
- 4 Induction Zones
 - 13 AMP (with fitted plug)
 - Front Touch Controls
 - Heat Indicator Light
 - 99 Minute Timer
 - Child Lock
 - 9 Power Levels
 - Black Vitro Glass



While Stocks Last

7200W
32 AMP

- INT460F**
Bridge Zone Induction Hob
- 4 Zone Induction
 - Hob Touch Controls
 - ConnectCook Panel
 - Booster Button on all Zones
 - 99 Min. Timer & Smart Pause
 - Child Lock
 - Front Touch Controls
 - Hob Hot Indicator



7500W
32 AMP

- INT750**
75cm Induction Hob
- 5 Induction Zones
 - Front Slider Touch Controls
 - Heat Indicator Light
 - Child Panel Key Lock
 - 99 Min Timer
 - 9 Power Stage Settings
 - Heat Booster Button on all Zones
 - Black Vitro-Ceramic Glass



7500W
32 AMP

- INT905**
86cm Induction Hob
- 5 Induction Zones
 - Front Slider Touch Controls
 - Heat Indicator Light
 - Child Panel Key Lock
 - 99 Min Timer
 - 9 Power Stage Settings
 - Heat Booster Button on all Zones
 - Black Vitro-Ceramic Glass

Built-In Gas Hobs

Cooker Hoods

From Gas on Glass to simple Stainless Steel our Built-in Gas Hobs look the part.

Montpellier offer a range of different Cooker Hood options for every home.



2 Burners

- MGH30X**
30cm Gas Hob in Stainless Steel
- Gas
 - 2 Zones
 - Heat Indicator Light
 - Front Rotary Controls
 - Cast Iron Pan Supports

2 YEAR GUARANTEE PARTS & LABOUR



2 Burners

- MGH30BG**
30cm Black Glass Gas Hob
- Gas
 - 2 Zones
 - Heat Indicator Light
 - Front Rotary Controls
 - Cast Iron Pan Supports

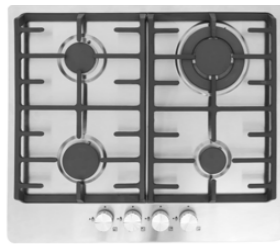
2 YEAR GUARANTEE PARTS & LABOUR



4 Burners

- MGB60X**
60cm Basic Gas Hob in Stainless Steel
- 4 Gas Burners
 - Enamel Pan Supports
 - Auto Ignition
 - LPG Convertible with Kit Included
 - Flame Failure Safety Device

2 YEAR GUARANTEE PARTS & LABOUR



4 Burners

- MGH61CX**
60cm Gas Hob in Stainless Steel
- 4 Burners
 - Cast Iron Pan Supports
 - Auto Ignition
 - LPG Convertible with Kit Included
 - Flame Failure Safety Device

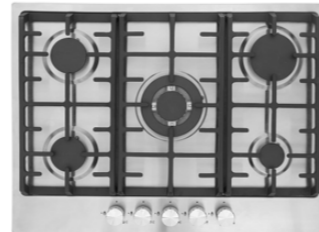
2 YEAR GUARANTEE PARTS & LABOUR



4 Burners

- MGH61BG**
60cm Black Glass Gas Hob
- 4 Burners
 - Cast Iron Pan Supports
 - Auto Ignition
 - LPG Convertible with Kit Included
 - Flame Failure Safety Device

2 YEAR GUARANTEE PARTS & LABOUR



5 Burners

- MGH75CX**
70cm Gas Hob in Stainless Steel
- 5 Burners
 - Cast Iron Pan Supports
 - Auto Ignition
 - LPG Convertible with Kit Included
 - Flame Failure Safety Device

2 YEAR GUARANTEE PARTS & LABOUR



5 Burners

- MGH75BG**
70cm Black Glass Gas Hob
- 5 Burners
 - Cast Iron Pan Supports
 - Auto Ignition
 - LPG Convertible with Kit Included
 - Flame Failure Safety Device

2 YEAR GUARANTEE PARTS & LABOUR



5 Burners

- MGH90CX**
86cm Gas Hob in Stainless Steel
- 5 Burners
 - Cast Iron Pan Supports
 - Auto Ignition
 - LPG Convertible with Kit Included
 - Flame Failure Safety Device

2 YEAR GUARANTEE PARTS & LABOUR



5 Burners

- MGH90BG**
86cm Black Glass Gas Hob
- 5 Burners
 - Cast Iron Pan Supports
 - Auto Ignition
 - LPG Convertible with Kit Included
 - Flame Failure Safety Device

2 YEAR GUARANTEE PARTS & LABOUR



TWO SIZES

2 YEAR GUARANTEE PARTS & LABOUR

- MHD500BK | MHD600BK**
50 / 60cm Slanted Glass Hood
- 3 Speed Motor
 - 2 x 1W LED Lights
 - B Energy Rated
 - Touch Controls
 - 550m3/h Air Flow
 - 1 x Aluminium Filter Included
 - Black Glass

While Stocks Last



THREE SIZES

2 YEAR GUARANTEE PARTS & LABOUR

- MHT600X | MHT700X | MHT900X**
60 / 70 / 90cm T-shaped Cooker Hood
- 3 Speeds
 - 550m3/h Air Flow
 - Touch Control
 - 2 x LED Lamps
 - Aluminium Filters incl.
 - B-rated Energy
 - Stainless Steel

361m3/h

2 YEAR GUARANTEE PARTS & LABOUR

- MHIS900X**
90cm Island Hood
- 3 Speeds
 - 361m3/h Air Flow
 - Touch Control
 - 4 x 1W LED Lamps
 - Aluminium Filters incl.
 - B-rated Energy
 - Stainless Steel

A-Rated Energy

2 YEAR GUARANTEE PARTS & LABOUR

- MHD650BK**
60cm Basic Slanted Glass Hood
- 3 Speeds
 - Push Button Controls
 - 2 x 1W LED Lamps
 - A Energy Rated
 - Black Glass Design



275m3/h

2 YEAR GUARANTEE PARTS & LABOUR

- MIN60S**
60cm Swing-Out Cooker Hood
- 3 Speeds
 - Slider Controls
 - 275m3/h Airflow
 - 1 x 4w LED Lamp
 - B-rated Energy

280m3/h

2 YEAR GUARANTEE PARTS & LABOUR

- MCA52S**
52 cm Canopy Hood
- 3 Speeds
 - Button Controls
 - 4 x 1W LED Lights
 - Aluminium Filters incl.
 - B-rated Energy

TWO SIZES

2 YEAR GUARANTEE PARTS & LABOUR

- DDCH60 | DDCH90**
60 / 90cm Downdraft Cooker Hood
- 4 Speeds
 - Finger Touch Control
 - 750m3/hr Airflow
 - 2 x LED Lamps
 - Max Noise level: 67 dB
 - Not Suitable for Gas Hobs

Curved Glass Cooker hoods give a modern touch, with some including LED edge lighting.

Our Cooker Hoods come in various sizes and colours for you to pick the perfect fit.



- MHG600X** **MHG600BK**
- 60cm Curved Glass Chimney Hood**
- 3 Speeds
 - 400m3/h Air Flow
 - Noise Level 65db
 - 1 x 1.5w LED Lamp (White)
 - Aluminium Filters included
 - A-Rated Energy
 - Stainless Steel or Black
- A-Rated Energy**
- 2 YEAR GUARANTEE PARTS & LABOUR**



- MHE600LBK**
- 60cm Curved Glass LED Chimney**
- 3 Speeds
 - 400m3/h Air Flow
 - Noise Level 65db
 - LED Edge Lighting. (Blue, Red, Green)
 - Aluminium Filters included
 - A-Rated Energy
 - Black
- LED LIGHTS**
- 2 YEAR GUARANTEE PARTS & LABOUR**



- MHE600LX**
- 60cm Curved Glass LED Chimney**
- 3 Speeds
 - 400m3/h Air Flow
 - Noise Level 65db
 - LED Edge Lighting. (Blue, Red, Green)
 - Aluminium Filters included.
 - A-Rated Energy
 - Stainless Steel
- LED LIGHTS**
- 2 YEAR GUARANTEE PARTS & LABOUR**



- MH600X** **MH600BK**
- 60cm Chimney Hood**
- 3 Speeds
 - 550m3/h Air Flow
 - Touch Control
 - 2 x LED Lamps
 - Aluminium Filters incl.
 - A Energy Rating
 - Stainless Steel or Black
- A-Rated Energy**
- 2 YEAR GUARANTEE PARTS & LABOUR**



- MHG700X** **MHG700BK**
- 70cm Curved Glass Chimney Hood**
- 3 Speeds
 - 400m3/h Air Flow
 - Noise Level 65db
 - 1 x 1.5w LED Lamp (White)
 - Aluminium Filters included.
 - A-Rated Energy
 - Stainless Steel or Black
- A-Rated Energy**
- 2 YEAR GUARANTEE PARTS & LABOUR**

DUCTS & FILTERS

Please Order

Carbon Filter - MH / MHG / MHE / TCH / MHD / MHIS / MIN / MCA **CHAR-04**

Carbon Filter - MCV60 Visor Hood Range **CHAR-06**

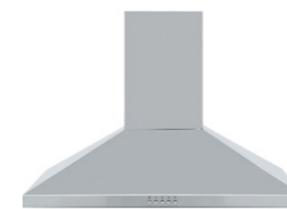
Carbon Filter - MHT T-Shaped Hood Range **CHAR-09**

Duct 120mm 1m - TCH / MCV / MHD / MHIS / MHT / MCA / MIN **DUCT-01**

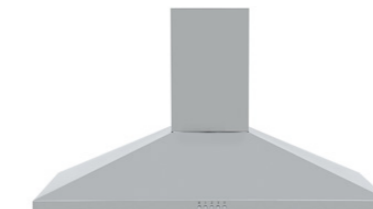
Duct 120mm 3m - TCH / MCV / MHD / MHIS / MHT / MCA / MIN **DUCT-03**

Duct 150mm 1m - MH / MHG / MHE / MHD650 **DUCT-05**

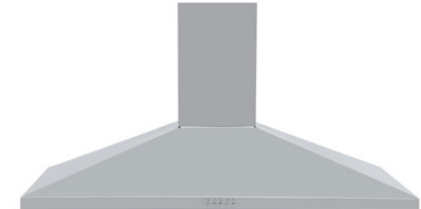
Duct 150mm 3m - MH / MHG / MHE / MHD650 **DUCT-07**



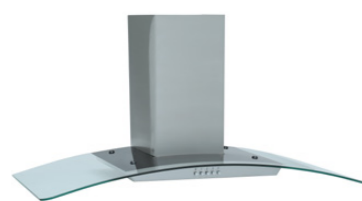
- MH700X** **MH700BK**
- 70cm Chimney Hood**
- 3 Speeds
 - 450m3/h Airflow Rate
 - Noise Level 52dB
 - 1 x 1.5w LED Lamp
 - Aluminium Filters included
 - A Energy Rating
 - S/Steel or Black
- A-Rated Energy**
- 2 YEAR GUARANTEE PARTS & LABOUR**



- MH900X** **MH900BK**
- 90cm Chimney Hood**
- 3 Speeds
 - 450m3/h Airflow Rate
 - Noise Level 52dB
 - 1 x 1.5w LED Lamp
 - Aluminium Filters included
 - A Energy Rating
 - S/Steel or Black
- A-Rated Energy**
- 2 YEAR GUARANTEE PARTS & LABOUR**



- MH1000X** **MH1000BK**
- 90cm Chimney Hood**
- 3 Speeds
 - 450m3/h Airflow Rate
 - Noise Level 52dB
 - 1 x 1.5w LED Lamp
 - Aluminium Filters included
 - A Energy Rating
 - S/Steel or Black
- A-Rated Energy**
- 2 YEAR GUARANTEE PARTS & LABOUR**



- MHG900X**
- 90cm Curved Glass Chimney Hood**
- 3 Speeds
 - 400m3/h Air Flow
 - Noise Level 65db
 - 1 x 1.5w LED Lamp (White)
 - Aluminium Filters included.
 - A-Rated Energy
 - Stainless Steel
- A-Rated Energy**
- 2 YEAR GUARANTEE PARTS & LABOUR**



- MHE900LBK**
- 90cm Curved Glass LED Chimney**
- 3 Speed
 - 400m3/h Air Flow
 - Noise Level 65db
 - LED Edge Lighting. (Blue, Red, Green)
 - Aluminium Filters included.
 - A-Rated Energy
 - Black
- LED LIGHTS**
- 2 YEAR GUARANTEE PARTS & LABOUR**



- MHE900LX**
- 90cm Curved Glass LED Chimney**
- 3 Speeds
 - 400m3/h Air Flow
 - Noise Level 65db
 - LED Edge Lighting. (Blue, Red, Green)
 - Aluminium Filters included.
 - A-Rated Energy
 - Black
- LED LIGHTS**
- 2 YEAR GUARANTEE PARTS & LABOUR**



Underside View

- TCH261** | **TCH291**
- 60 / 90cm Telescopic Hood**
- 3 Speeds
 - 275m3/h Airflow Rate
 - Noise Level 62dB
 - Rocker Switch
 - 1 x 4W LED Light
 - Washable Aluminium Filter Cassettes
 - A-Rated Energy
 - Silver
- TWO SIZES**
- 2 YEAR GUARANTEE PARTS & LABOUR**



Underside View

- MCV60X** **MCV60BK** **MCV60W**
- 60cm Visor Hood**
- 3 Speeds
 - 240m3/h Airflow Rate
 - Noise Level 65dB
 - Push button controls
 - 1 x 4W LED Light
 - Aluminium Filters included
 - B Energy Rating
 - Stainless Steel, Black or White
- 240m 3/h**
- 2 YEAR GUARANTEE PARTS & LABOUR**

Built-in Cooling

Built-in Cooling

All of our Integrated Cooling products come with a 5 year guarantee as standard.

Montpellier Built-in Cooling products have Flame Retardant Backing for peace of mind.



135 Litre

- MBUL101**
Built Under Larder Fridge
- 135Ltr Capacity
 - 2 Glass Shelves + Crisper Cover
 - F Energy Rating
 - White
 - H82-87 W59.6 D55cm

2 YEAR GUARANTEE PARTS & LABOUR



95/16 Litre

- MBUR201**
Built Under Fridge / 4* Icebox
- 95 / 16Ltr Capacity
 - 2 Glass Shelves + Crisper Cover
 - F Energy Rating
 - White
 - H82-87 W59.6 D55cm

2 YEAR GUARANTEE PARTS & LABOUR



95 Litre

- MBUF301**
Built Under Freezer
- 95Ltr Capacity
 - 3 Drawers
 - F Energy Rating
 - White
 - H82-87 W59.6 D55cm

2 YEAR GUARANTEE PARTS & LABOUR



157/87 Litre

- MIFF5151F**
Built-In Frost Free Fridge Freezer
- 157Ltr / 87Ltr Capacity
 - 3 Glass Fridge Shelves
 - 4 Freezer Compartments
 - LED Fridge Light
 - Sliding Hinges
 - Reversible Doors
 - F Energy Rating
 - Slider Fixings
 - White
 - H176.9 W54 D55cm

2 YEAR GUARANTEE PARTS & LABOUR



147/81 Litre

- MIFF502**
Built In Twin Stat Fridge Freezer
- 147 / 81Ltr Capacity
 - 2 Glass Fridge Shelves
 - 4 Freezer Compartments
 - Manual Defrost
 - LED Fridge Light
 - Reversible Doors
 - F Energy Rating
 - Slider Fixings
 - White
 - H176.9 W54 D54cm

2 YEAR GUARANTEE PARTS & LABOUR

FIRE SAFETY IN MIND

We strive to make our products as safe as possible. Our refrigeration models have either an aluminium foil covered back or a full metal back, so you can be rest assured our refrigerators have been manufactured with fire safety in mind.



135 Litre

- MITL85**
In-Column Larder Fridge
- 135Ltr Capacity
 - Glass Shelves
 - F Energy Rating
 - Slider Fixings
 - H87.5 W54 D54.5cm

2 YEAR GUARANTEE PARTS & LABOUR



85 Litre

- MITF85**
In-Column Static Freezer
- 85Ltr Capacity
 - 4 Drawers
 - 4* Freezer Rating
 - Slider Fixings
 - F Energy Rating
 - White
 - H87.5 W54 D54.5cm

2 YEAR GUARANTEE PARTS & LABOUR

- MITF215**
Tall Integrated Frost-Free Freezer
- 176.9cm Tall
 - 200 Ltr Capacity
 - 5 Drawers/2 Flaps
 - F Energy Rating
 - Slider Fixings
 - H176.9 W54 D54cm

Slider Fixings

2 YEAR GUARANTEE PARTS & LABOUR



- MITL325**
Tall Integrated Larder Fridge
- 176.9cm Tall
 - 316 Ltr Capacity
 - F Energy Rating
 - LED Digital Control
 - Slider Fixings
 - H176.9 W54 D54cm

Slider Fixings

2 YEAR GUARANTEE PARTS & LABOUR



MITF215

MITL325

OUR 2 YEAR GUARANTEE

We offer a fully comprehensive guarantee, backed by our nationwide service network, providing confidence for all of our customers. All of our models come with a 2 year guarantee, for extra reliability and confidence.



197 Litre

- MITL125**
In-Column Larder Fridge
- 197Ltr Capacity
 - 4 Glass Shelves + Salad Crisper
 - F Energy Rating
 - Slider Fixings
 - H122.1 W54 D54cm

2 YEAR GUARANTEE PARTS & LABOUR



162/16 Litre

- MITR125**
In-Column Icebox Fridge
- 162 / 16Ltr Capacity
 - 4* Icebox
 - F Energy Rating
 - Slider Fixings
 - H122.1 W54 D54.5cm

2 YEAR GUARANTEE PARTS & LABOUR



130 Litre

- MITF125**
In-Column Freezer
- 130Ltr Capacity
 - 5 Drawers
 - F Energy Rating
 - Slider Fixings
 - H122.1 W54 D54.5cm

2 YEAR GUARANTEE PARTS & LABOUR



177/64 Litre

- MIFF7131F**
Built-in Frost Free Fridge Freezer
- 177 / 64Ltr Capacity
 - 3 Glass Fridge Shelves
 - 3 Freezer Compartments
 - LED Fridge Light
 - Salad Crisper
 - Reversible Doors
 - F Energy Rating
 - Slider Fixings
 - White
 - H176.9 W54 D55cm

2 YEAR GUARANTEE PARTS & LABOUR

0 to 3°C Chiller



182/60 Litre

- MIFF702**
Built-in Twin Stat Fridge Freezer
- 182 / 60Ltr Capacity
 - 3 Glass Fridge Shelves
 - 3 Freezer Compartments
 - Thermostat Control
 - LED Fridge Light
 - Reversible Doors
 - F Energy Rating
 - Slider Fixings
 - White
 - H176.9 W54 D54cm

2 YEAR GUARANTEE PARTS & LABOUR

*Sample Image - Actual Product May Differ

*Sample Image - Actual Product May Differ

Wine Coolers

American Side by Sides

Montpellier Wine Coolers can drop their temperature to a cool 2°C

Our American Style Side-by-Sides offer enough space for the whole family.



- WC7X**
Slimline Wine Cooler
- 7 x 75cl Bordeaux Style Bottles Capacity
 - 6 Beech Shelves
 - Touch Key Control
 - Temperature Control from 2°C - 20°C
 - Stainless Steel
 - H86.3-89 W15 D52.5cm



- WC19X**
Wine Cooler
- 19 x 75cl Bordeaux Style Bottles Capacity
 - 6 Beech Shelves
 - Touch Key Control
 - Temperature Control from 2°C - 20°C
 - Stainless Steel
 - H86.3-89 W29.5 D57cm



- WC46X**
Wine Cooler - Dual Zone
- 46 x 75cl Bordeaux Style Bottles Cpty
 - 6 Beech Shelves
 - Touch Key Control
 - Temperature Control from 2°C - 20°C
 - Stainless Steel
 - H86.3-89 W59.5 D57cm



- WC38DDX**
Dual Zone Wine Cooler
- 38 x 75cl Bordeaux Style Bottles Capacity
 - 12 Beech Shelves
 - Touch Key Control
 - Temperature Control from 2°C - 20°C
 - Stainless Steel
 - H86.3-89 W59.5 D57cm



- WC166X**
Dual Zone Wine Cooler
- 166 x 75cl Bordeaux Style Bottles Capacity
 - 14 Beech Shelves
 - Touch Key Control
 - Temperature Control from 2°C - 20°C
 - Stainless Steel
 - H177 W59.5 D68cm



- WC181X**
Dual Zone Wine Cooler
- 181 x 75cl Bordeaux Style Bottles Cpty
 - 14 Beech Shelves
 - Touch Key Control
 - Temperature Control from 2°C - 20°C
 - Stainless Steel
 - H183.5 W65.5 D68cm

KEEP IT COOL

Montpellier has a great selection of wine coolers from slimline styles to larger Dual Zone coolers. Keeping your wine chilled and ready to drink has never been simpler, or more stylish.



M510BX ■ **M510BK** ■ **M510BW** □
American Side-by-Side Fridge Freezer

- No Frost
- 335Ltr Fridge Capacity
- 197Ltr Freezer Capacity
- Electronic Touch Control Panel
- Twist & Serve Ice Dispenser
- Quick Freeze Function
- 4* Freezer Rating
- F Energy Rating
- Available in Inox, Black & White
- H179 W89.5 D74.5cm

532 LTR



M520WDS ■ **M520WDK** ■ **M520WDX** ■
Side-by-Side Fridge Freezer with Drinks Dispenser

- Non-Plumbed Drinks Dispenser
- No Frost
- 338Ltr Fridge Capacity
- 197Ltr Freezer Capacity
- Electronic Touch Control Panel
- Twist & Serve Ice Dispenser
- 4* Freezer Rating
- F Energy Rating
- Available in Silver, Black & Inox
- H179 W89.5 D74.5cm

535 LTR



M530PDIK ■ **M530PDIX** ■
Side-by-Side Fridge Freezer with Plumbed Ice & Water

- Plumbed Ice & Water Dispenser
- No Frost
- 334Ltr Fridge Capacity
- 182Ltr Freezer Capacity
- Electronic Touch Control Panel
- 4* Freezer Rating
- F Energy Rating
- Available in Black & Inox
- H179 W89.5 D74.5mm

516 LTR

Taps & Hot Taps

Inset Sinks

Our range of Hot Taps give you 98° boiling hot water at the turn of the handle.

Our Sinks range from basic to premium, depending on your needs.



Instant Hot Water

OneStream™ Hot Tap
Swan Spout Brushed/Chrome

Our hot water taps mean there's no waiting around, just instant filtered hot water as and when you want it. Simply turn the handle and 98°c boiling water is delivered in the fraction of the time it would take to boil a kettle.

- Instant Hot Water at 98°c
- Swan Spout
- Tank Descaler
- 5 Year Guarantee
- Chrome or Brushed

5 YEAR GUARANTEE



Two Colours

Winchcombe 1.0
Composite Sink

- Basket Strainer Waste
- Overflow
- Fixing Clips
- Made from hardwearing composite material
- 10 Year Guarantee
- L:780 W:480 BD:180 MBU:450 (mm)
- Black or Frost White

10 YEAR GUARANTEE



Two Colours

Winchcombe 1.5
Composite Sink

- Basket Strainer Waste
- Overflow
- Fixing Clips
- Made from hardwearing composite material
- 10 Year Guarantee
- L:950 W:480 BD:180 MBU:600 (mm)
- Black or Frost White

10 YEAR GUARANTEE



0.7mm gauge

Ashchurch 1.0
Brushed Steel Sink

- Basket Strainer Waste
- Overflow
- Fixing Clips
- Tap hole blanking plug
- Factory-fitted worktop seal
- 10 Year Guarantee
- L:860 W:500 BD:170 MBU:450 (mm)
- Stainless Steel (0.7mm)

10 YEAR GUARANTEE



0.7mm gauge

Ashchurch 1.5
Brushed Steel Sink

- Basket Strainer Waste
- Overflow
- Fixing Clips
- Tap hole blanking plug
- Factory-fitted worktop seal
- 10 Year Guarantee
- L:1000 W:500 BD:170 MBU:600 (mm)
- Stainless Steel (0.7mm)

10 YEAR GUARANTEE



0.6mm gauge

Northway 1.0
Satin Steel Sink

- Basket Strainer Waste
- Overflow
- Fixing Clips
- Tap hole blanking plug
- Factory-fitted worktop seal
- 10 Year Guarantee
- L:860 W:500 BD:160 MBU:450 (mm)
- Stainless Steel (0.6mm)

10 YEAR GUARANTEE



0.6mm gauge

Northway 1.5
Satin Steel Sink 0.6mm guage

- Basket Strainer Waste
- Overflow
- Fixing Clips
- Tap hole blanking plug
- Factory-fitted worktop seal
- 10 Year Guarantee
- L:1000 W:500 BD:160 MBU:600 (mm)
- Stainless Steel (0.6mm)

10 YEAR GUARANTEE



Instant Hot Water

Multiplex™ Hot Tap
Swan Spout 3in1 Brushed/Chrome

- Instant 98°c Hot Water
- 360° Spout Rotation
- Controlled Flow of Water
- Energy Saving Cold Start Valve
- 5 Year Guarantee
- Boiler Included (Boil3) with 2 year guarantee included
- Chrome or Brushed

5 YEAR GUARANTEE

Instant Hot Water

Multiplex™ Hot Tap
Quad Spout 3in1 Brushed/Chrome

- Instant 98°c Hot Water
- 360° Spout Rotation
- Controlled Flow of Water
- Energy Saving Cold Start Valve
- 5 Year Guarantee
- Boiler Included (Boil3) with 2 year guarantee included
- Chrome or Brushed

5 YEAR GUARANTEE



F6M Filters
Universal Tap Filter

- Twin Pack of Filters for use with our OneStream™ and Multiplex™ Hot taps, as well as the Droitwich Filter Tap.



Droitwich*
Filter Tap Chrome

WRAS APPROVED PRODUCT

5 YEAR GUARANTEE

Teddington*
Brushed/Chrome

WRAS APPROVED PRODUCT

5 YEAR GUARANTEE

Painswick*
Brushed/Chrome

WRAS APPROVED PRODUCT

5 YEAR GUARANTEE

Dumbleton*
Chrome

WRAS APPROVED PRODUCT

5 YEAR GUARANTEE

Bredon*
Chrome

WRAS APPROVED PRODUCT

5 YEAR GUARANTEE

Elmstone*
Chrome

WRAS APPROVED PRODUCT

5 YEAR GUARANTEE

Mitton*
Chrome

WRAS APPROVED PRODUCT

5 YEAR GUARANTEE

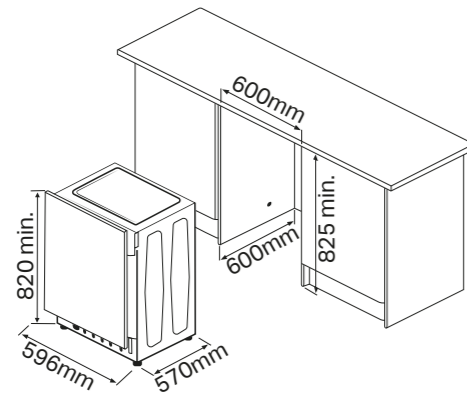
*All Taps include Tails

Product Dimensions

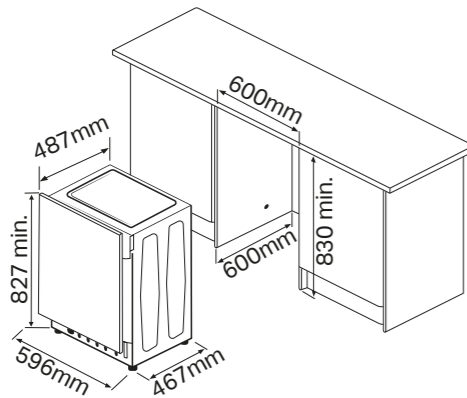
Built-in Washing Machines

page 4

- MIWM84
- MIWD75



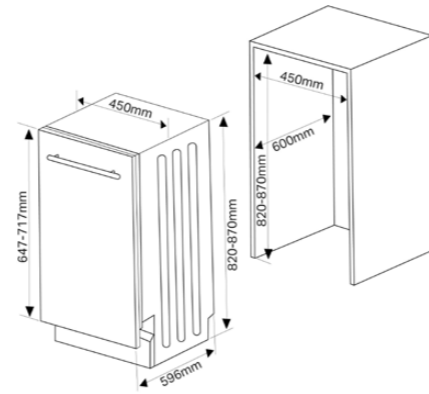
- MIHP70



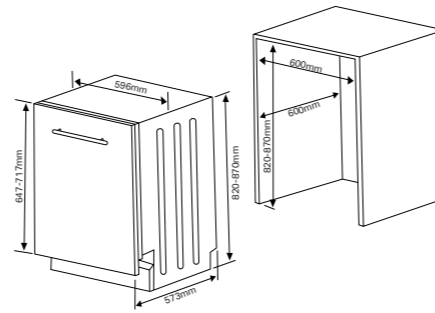
Built-in Dishwashers

page 4

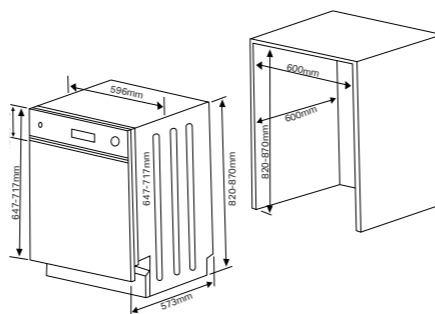
- MDI455
- MDI505



- MDI605
- MDI705
- MDI805



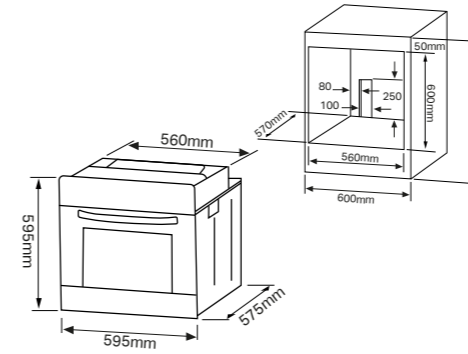
- MDI655X
- MDI655W
- MDI655K



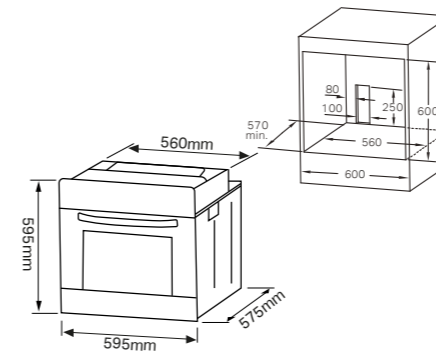
Built-in Ovens

page 5

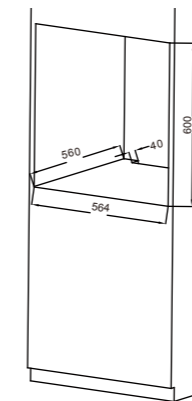
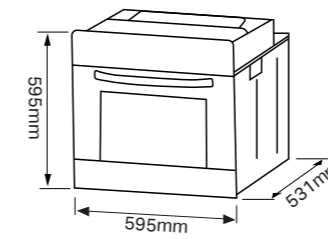
- SFO72X
- SFO58X



- SFO73B
- SFO74B



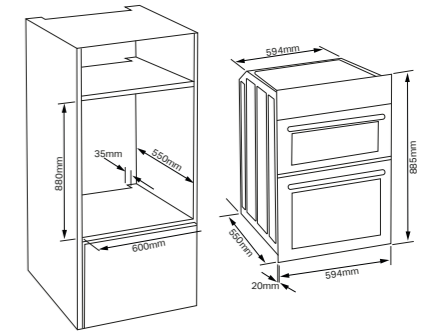
- SBFO59X
- SBFO59B



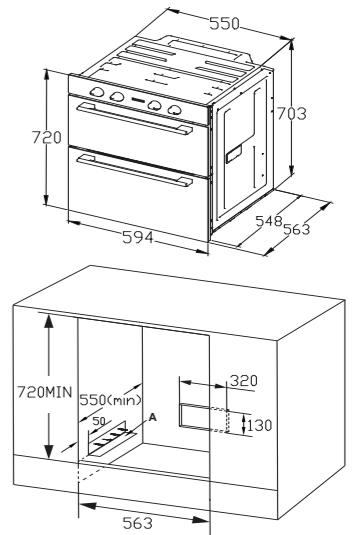
Built-in Double Ovens

page 5

- DO3570IB



- DO3550UB

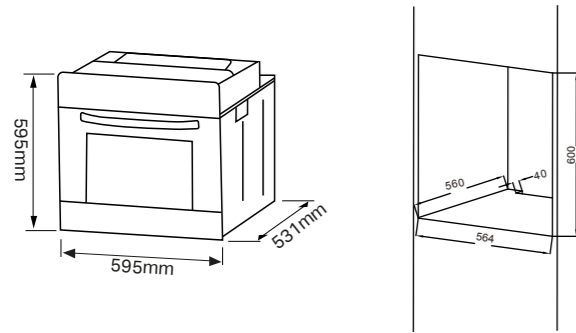
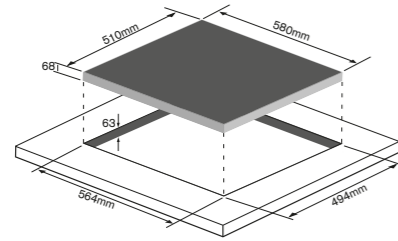


Product Dimensions

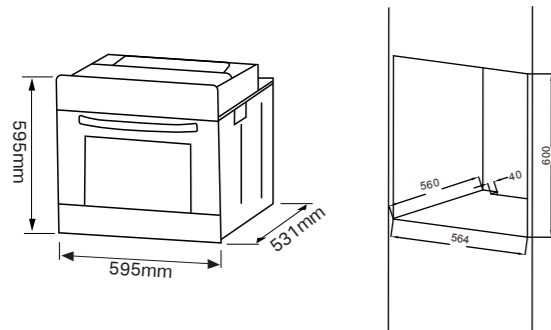
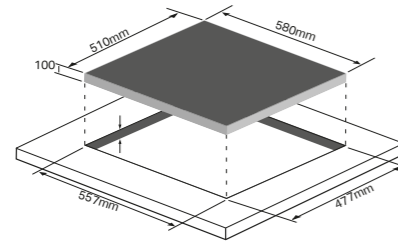
Oven & Hob Packs

page 5

• SFCP11



• SFGP12



Built-in Microwaves

page 6

• MWBI72X

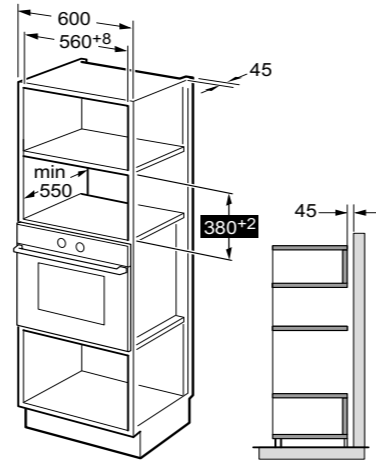
Height : 400mm
Width : 595mm
Depth : 460mm

• MWBI73B

Height : 403mm
Width : 594mm
Depth : 382mm

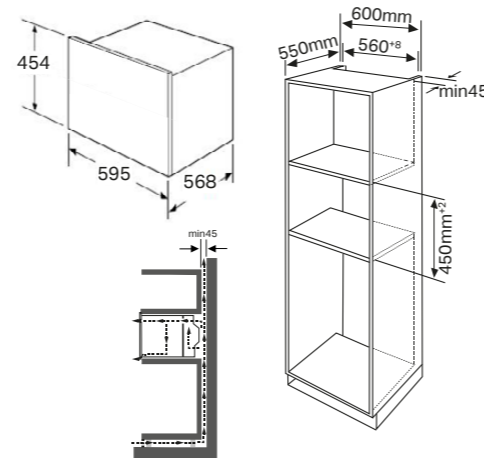
• MWBI20BK

Height : 388mm
Width : 594mm
Depth : 320mm



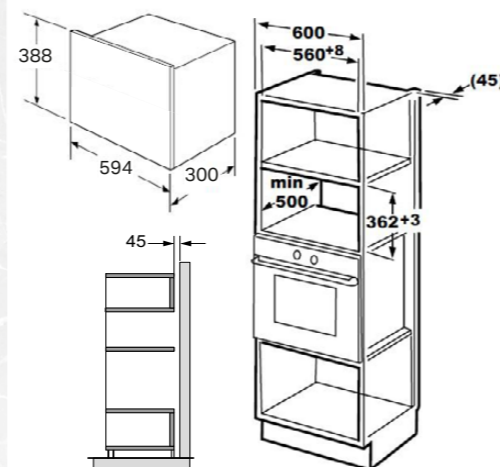
• MWBIC74B

Height : 454mm
Width : 595mm
Depth : 568mm



• MWBI17-300

SLIM DEPTH
Height : 388mm
Width : 594mm
Depth : 300mm

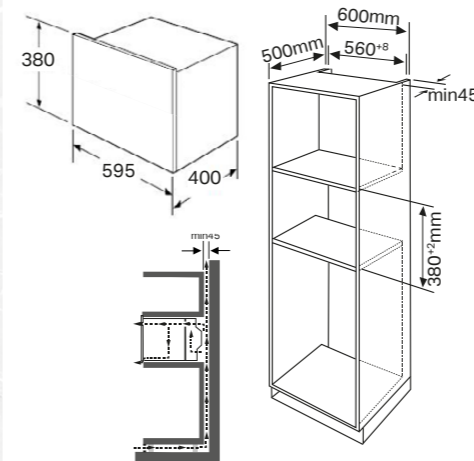


Built-in Microwaves Cont.

page 6

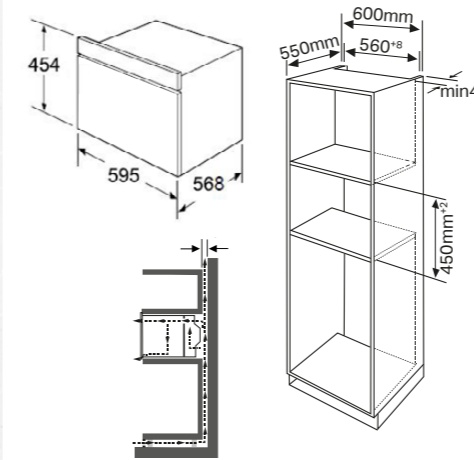
• MWBIC90025

Height: 380mm
Width: 595mm
Depth: 400mm



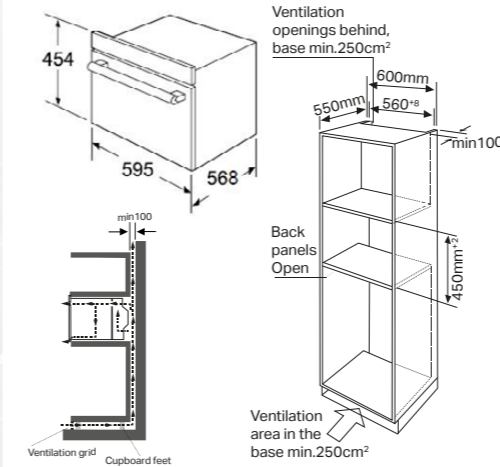
• MWBIC90029

Height: 454mm
Width: 595mm
Depth: 568mm



• MWBIC90044

Height: 454mm
Width: 595mm
Depth: 568mm



Product Dimensions

Built-in Warming Drawers

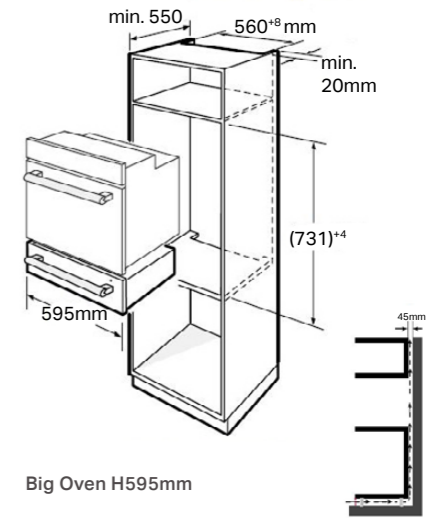
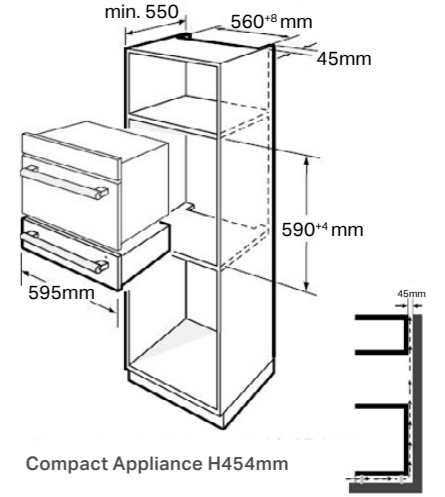
page 7

• WD14SS

• WD14BK

• WD140BG

• WD140ST

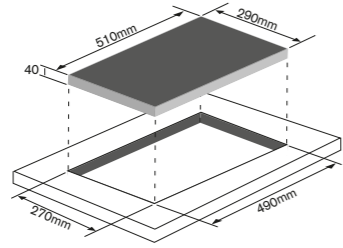


Product Dimensions

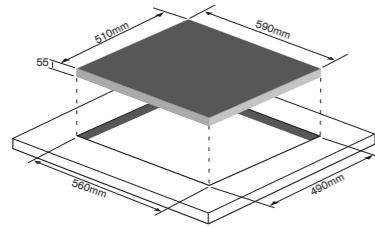
Solid Plate Hobs

page 8

• SP300X



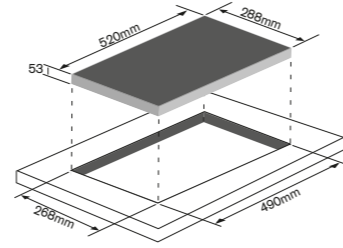
• SP601W
• SP601X



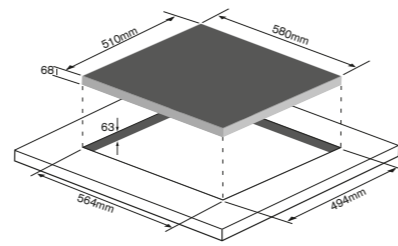
Ceramic Hobs

page 8

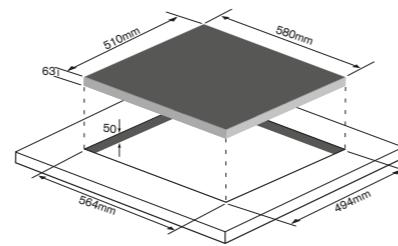
• CER31NT



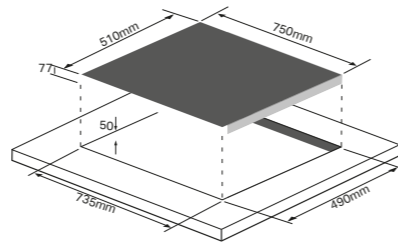
• CER61NT



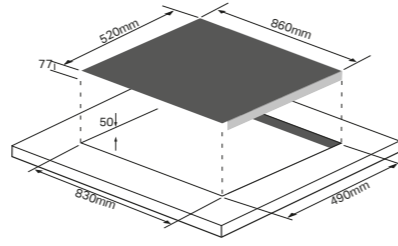
• CKH61



• CT750



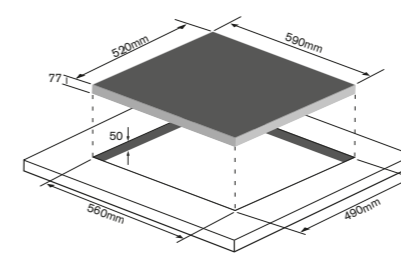
• CT905



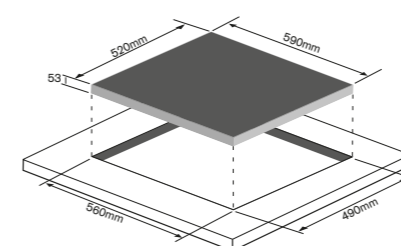
Induction Hobs

page 9

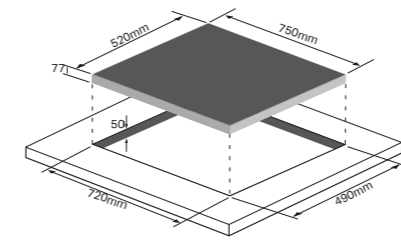
• INT61NT
• INT61T99-13A



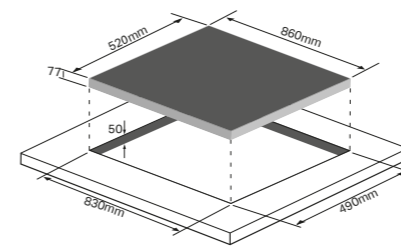
• INT460F
• INT600



• INT750



• INT905

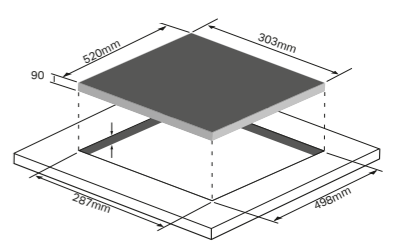


Product Dimensions

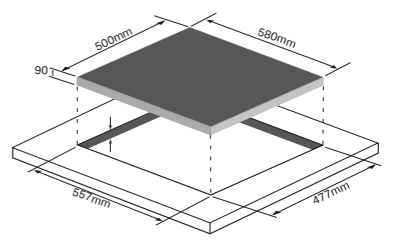
Gas Hobs

page 10

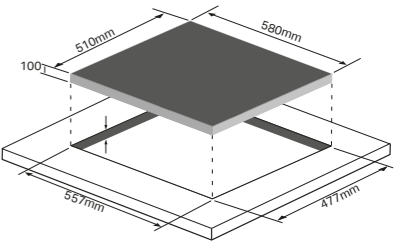
• MGH30BG
• MGH30X



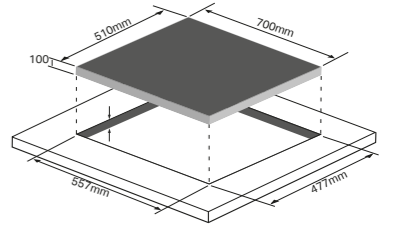
• MGB60X



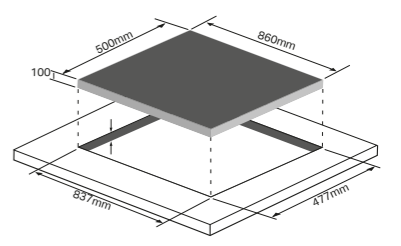
• MGH61BG
• MGH61CX



• MGH75BG
• MGH75CX



• MGH90BG
• MGH90CX

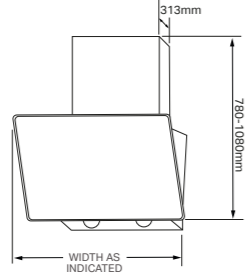


Product Dimensions

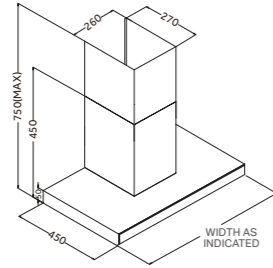
Cooker Hoods
Slanted • T-Shaped • Island • Swing-out

page 11

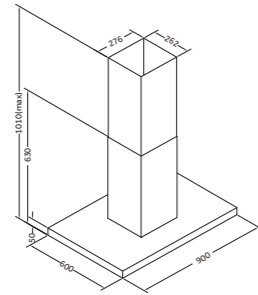
- MHD500BK (W500mm)
- MHD600BK (W600mm)



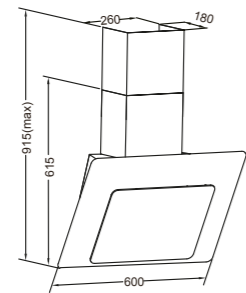
- MHT600X (W600mm)
- MHT700X (W700mm)
- MHT900X (W900mm)



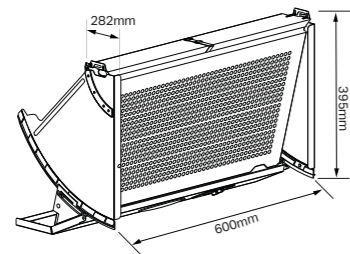
- MHIS900X



- MHD650BK



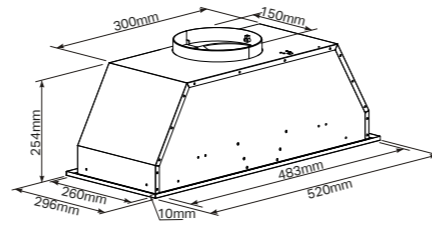
- MIN60S



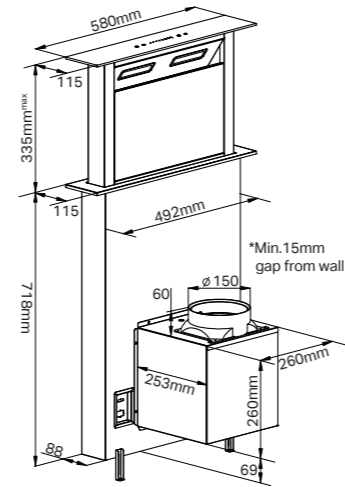
Cooker Hoods
Canopy • Downdraft

page 11

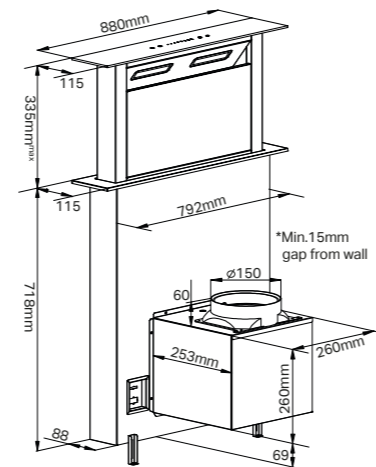
- MCA52S



- DDCH60



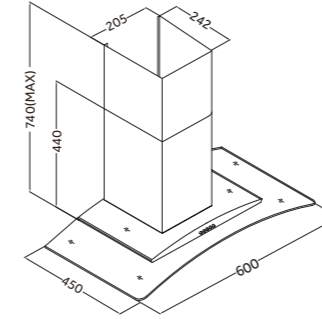
- DDCH90



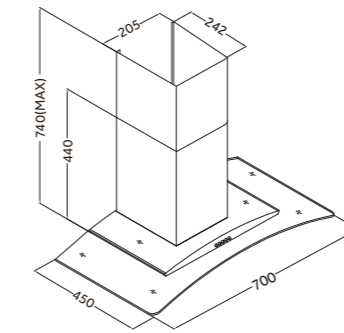
Cooker Hoods
Curved Glass

page 12

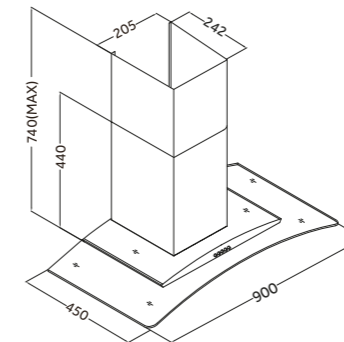
- MHG600X
- MHG600BK
- MHE600LBK
- MHE600LX



- MHG700X
- MHG700BK



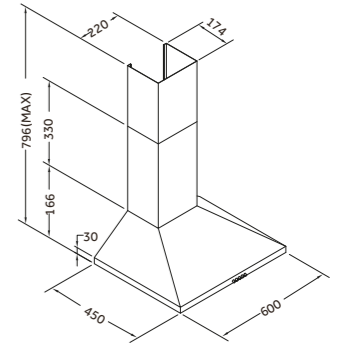
- MHG900X
- MHE900LBK
- MHE900LX



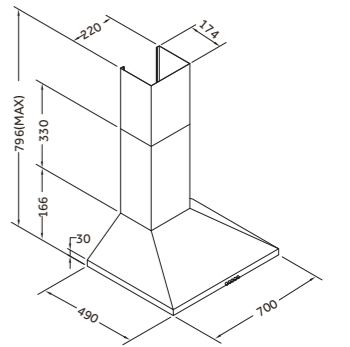
Cooker Hoods
Chimney Hoods

page 13

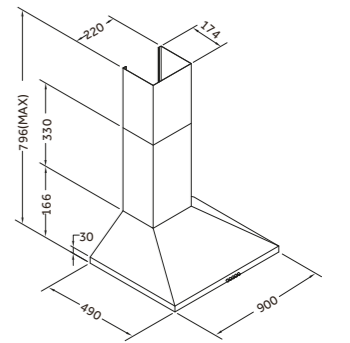
- MH600X
- MH600BK



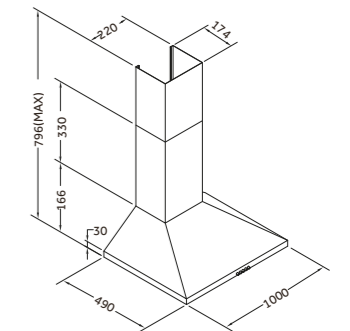
- MH700X
- MH700BK



- MH900X
- MH900BK



- MH1000X
- MH1000BK

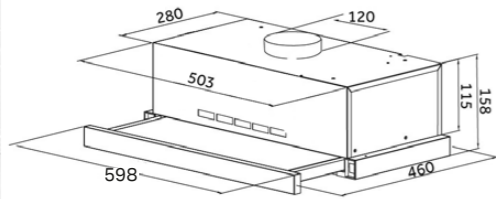


Product Dimensions

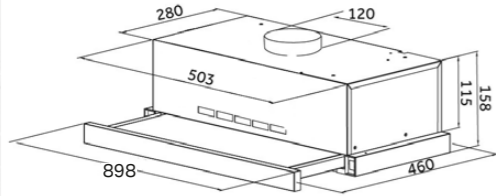
Cooker Hoods:
Telescopic · Visor

page 13

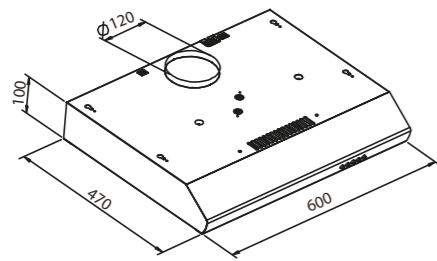
• TCH261



• TCH291



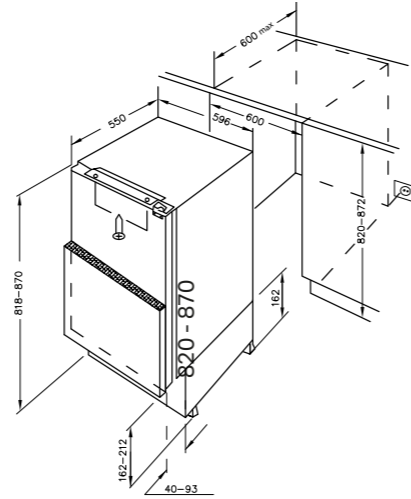
• MCV60X
• MCV60BK
• MCV60W



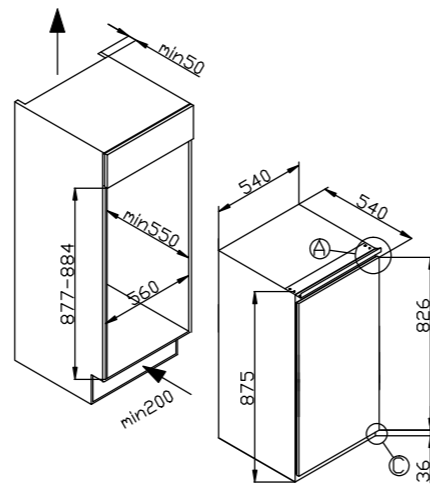
Built-in Cooling

page 14

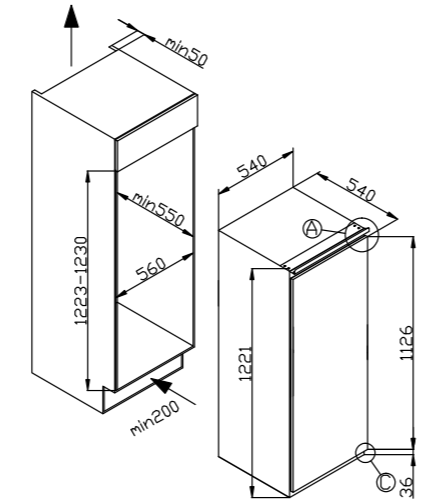
• MBUL101
• MBUR201
• MBUF301



• MITL85
• MITF85
Slider Fixings



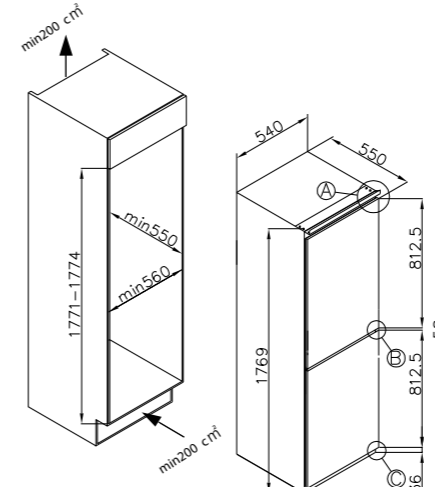
• MITL125
• MITR125
• MITF125
Slider Fixings



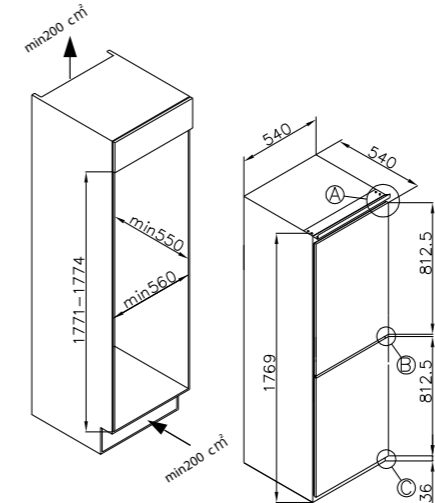
Built-in Cooling Continued

page 15

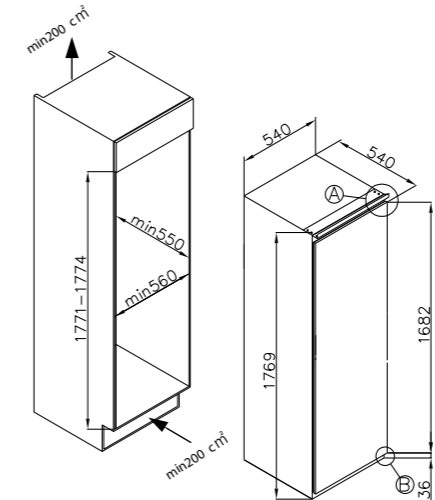
• MIFF5151F
Slider Fixings



• MIFF502
Slider Fixings

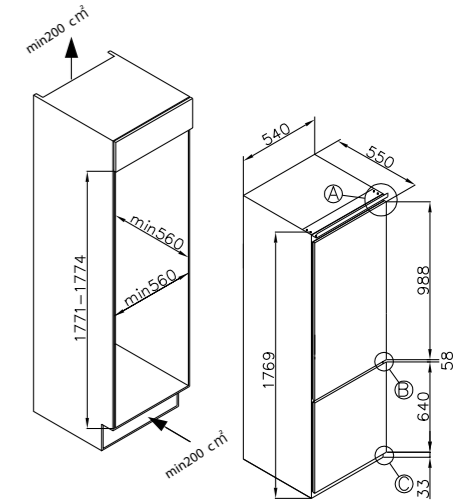


• MITF215
• MITL325
Slider Fixings

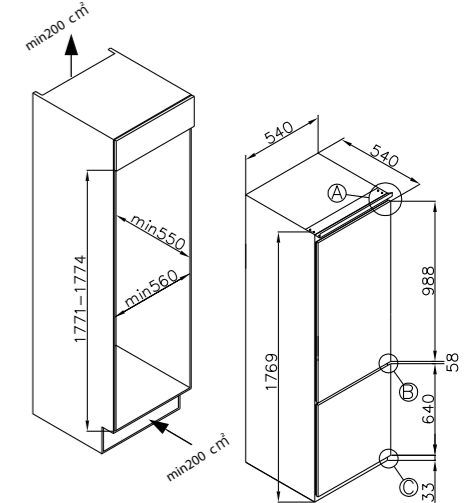


page 15

• MIFF7131F
Slider Fixings



• MIFF702
Slider Fixings

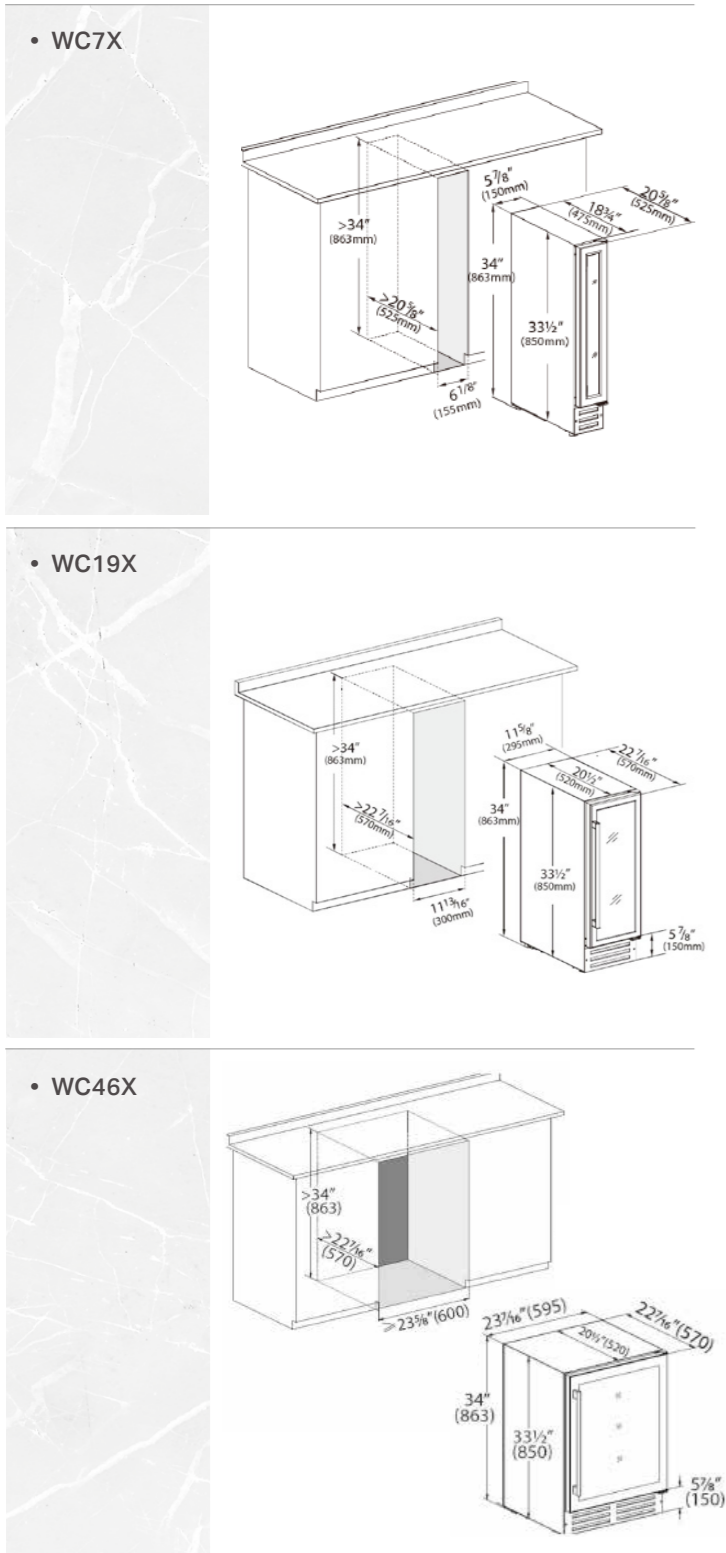


Product Dimensions

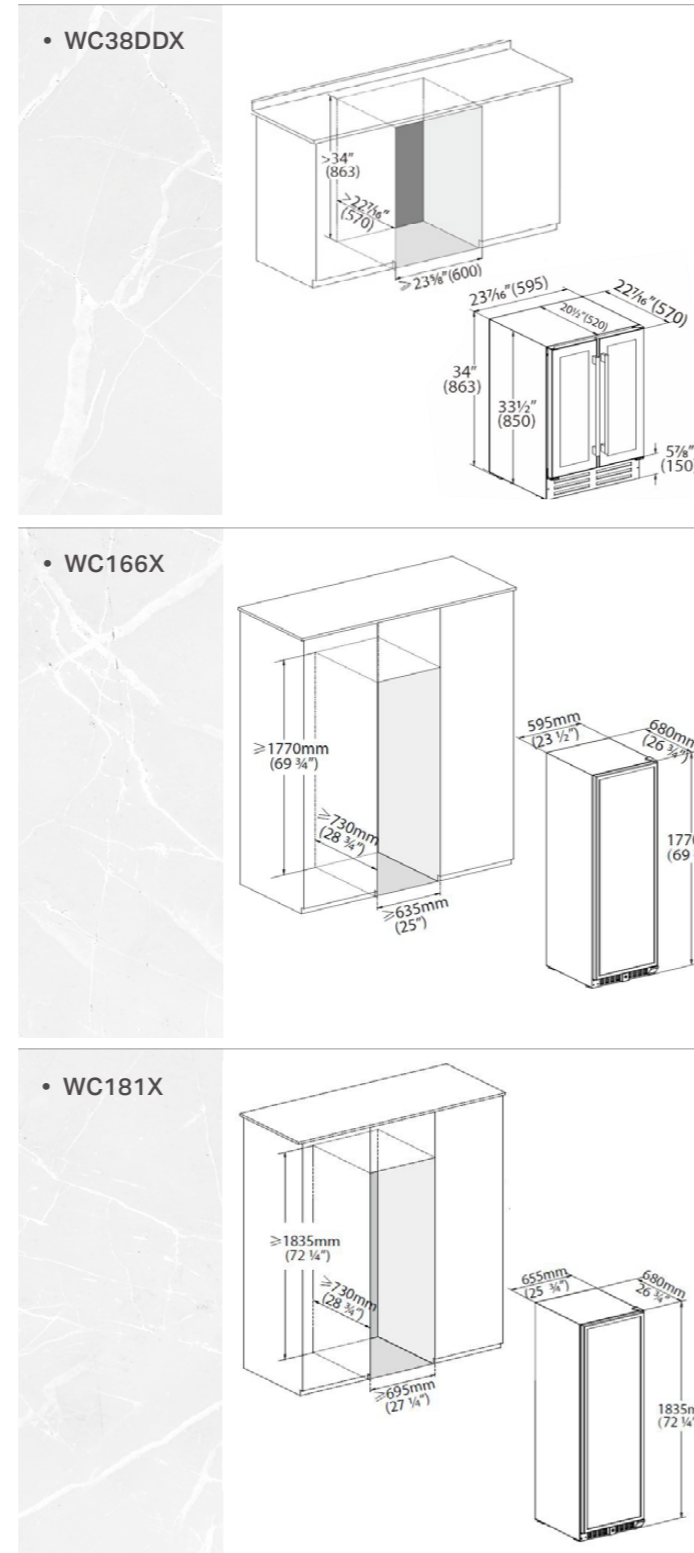
Product Dimensions

Wine Coolers

page 16



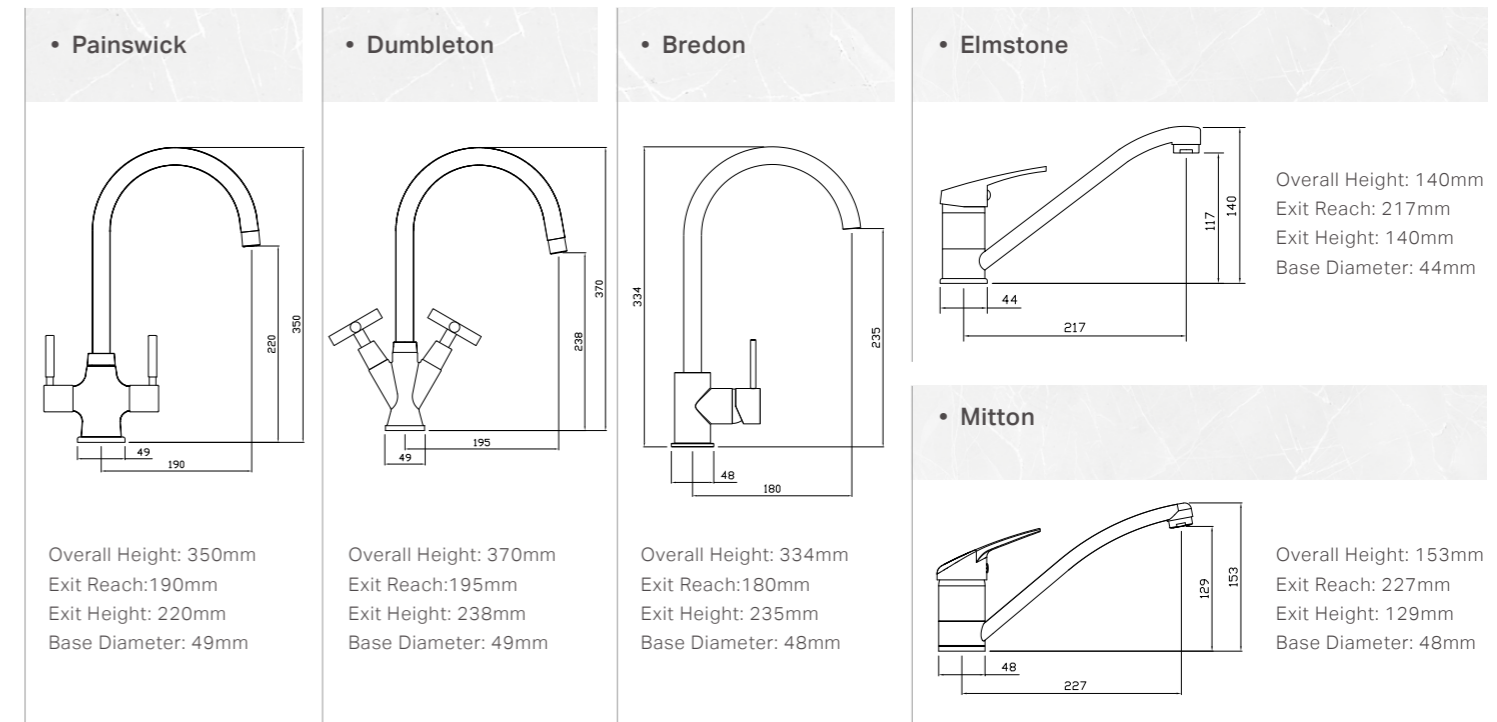
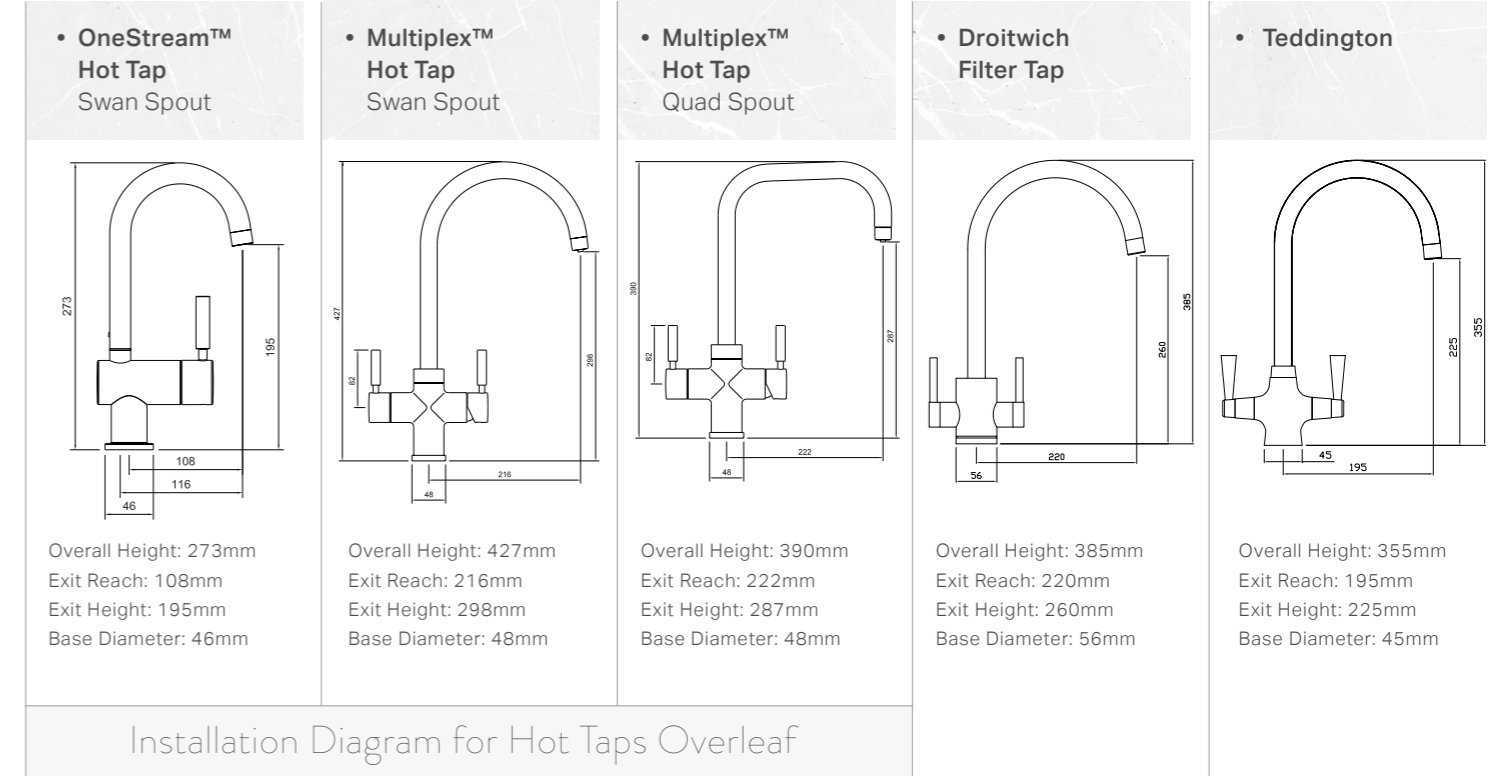
page 16



Product Dimensions

Taps & Hot Taps

page 18



Product Dimensions

Hot Tap Installation

page 18



Boiler (Boil3) and fixings included with OneStream™ and Multiplex™ Hot Taps

Includes Fixings

2 YEAR GUARANTEE PARTS & LABOUR

Boiler (Boil3)
For Hot Taps: OneStream™ and Multiplex™

- Descale Inlet and removable tank lid
- Compact size
- Filtered water inlet
- 98°C water outlet
- Safety steam vent to a standard dishwasher connection
- 2 Litre Tank
- UK manufactured boiler
- 2 Year Guarantee included.
- H257 W2217 D175mm

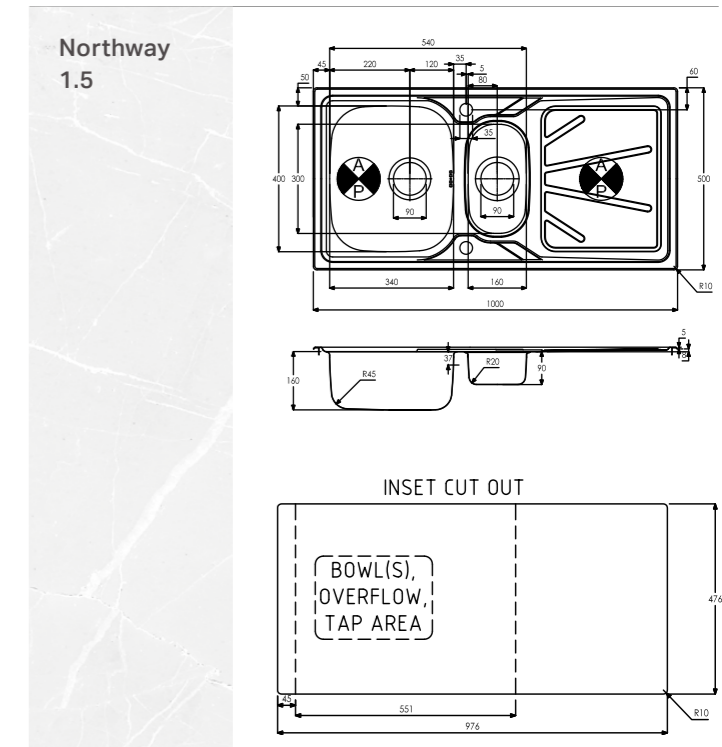
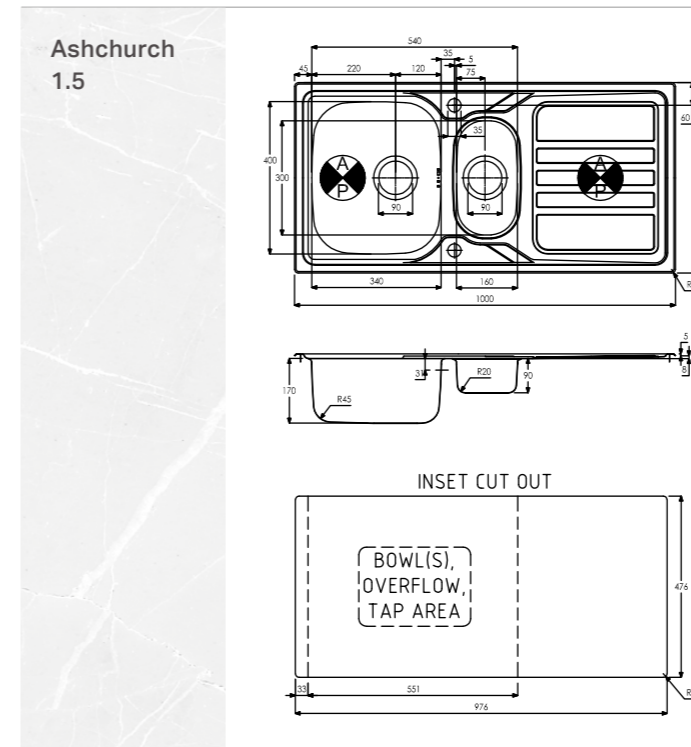
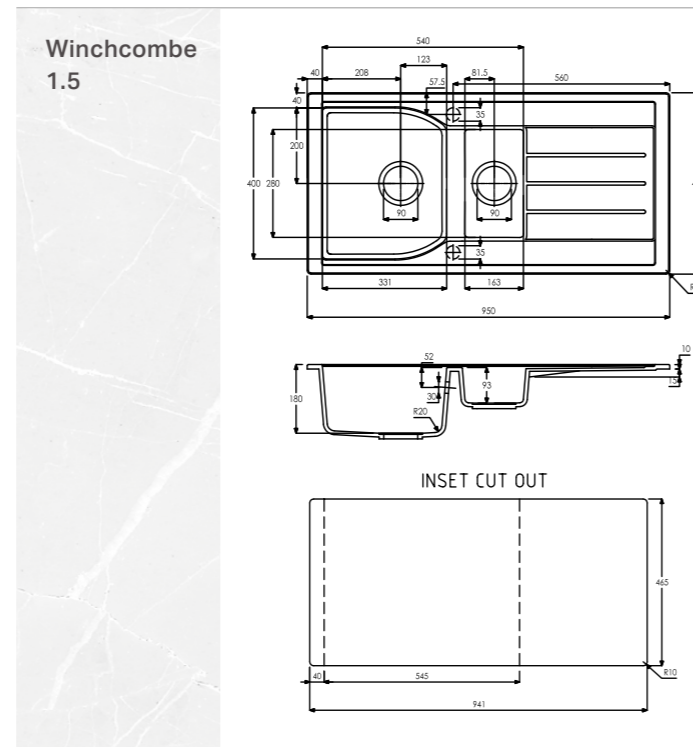
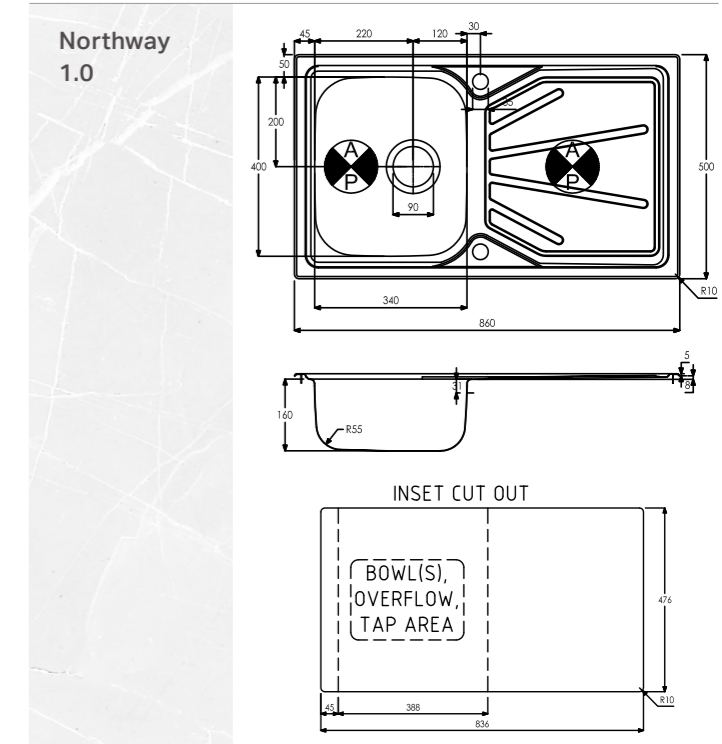
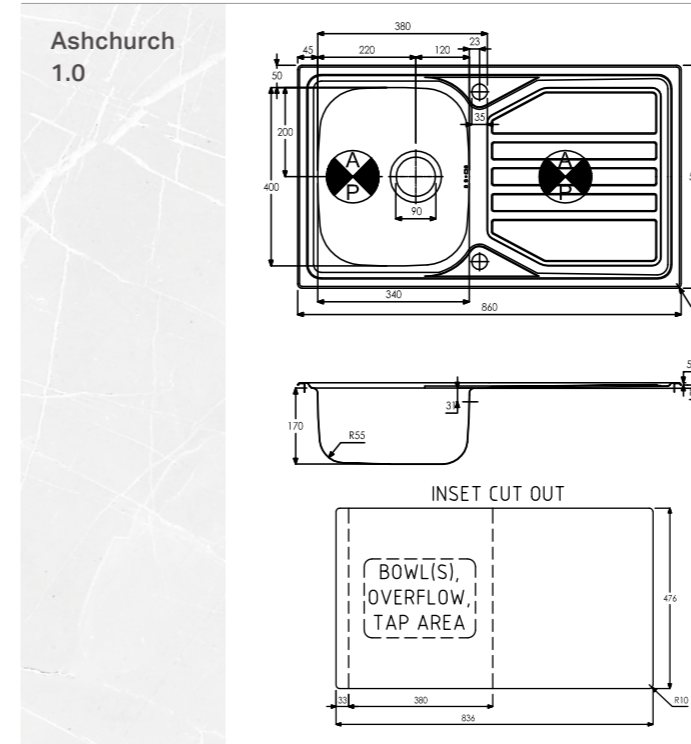
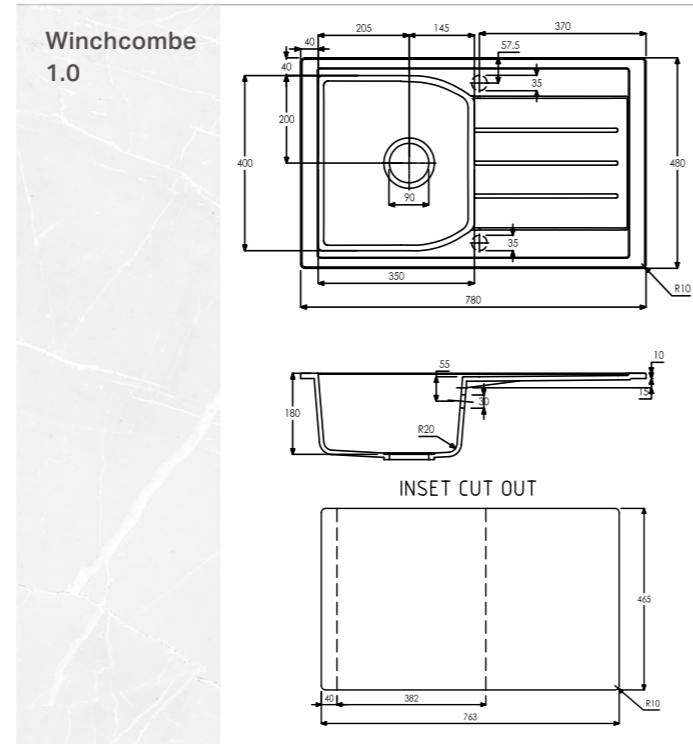
Product Dimensions

Inset Sinks Continued

page 19

Inset Sinks

page 19



Notes

You can make notes here on the models that catch your eye...

Montpellier



Montpellier is the most exciting appliance brand in the UK market. We make appliances for the real world with products that combine technology with function, style & reliability.

- Every Montpellier appliance is built to our exacting standards and your everyday needs.
- All products come with standard 2 year guarantee & our built-in refrigeration models come with 5 years.
- UK-based with a UK customer service support team covering the length and breadth of the country.
- We are an independent family-run British brand with over 50 years experience in the industry.

A FRESH LOOK WITH MONTPELLIER

A refreshingly stylish yet economical brand that has your needs in mind, bringing you appliances for everyday living.

LAUNDRY | DISHWASHING | COOKING | COOLING

T: 03333 234 473

E: sales@montpellier-appliances.com

www.montpellier-appliances.com

Follow us:



© Copyright of Montpellier Domestic Appliances Ltd. 2021. All rights reserved. E&OE.

Montpellier

The perfect balance of function & style
www.montpellier-appliances.com

© Copyright of Montpellier Domestic Appliances Limited 2021. All rights reserved. E&OE.